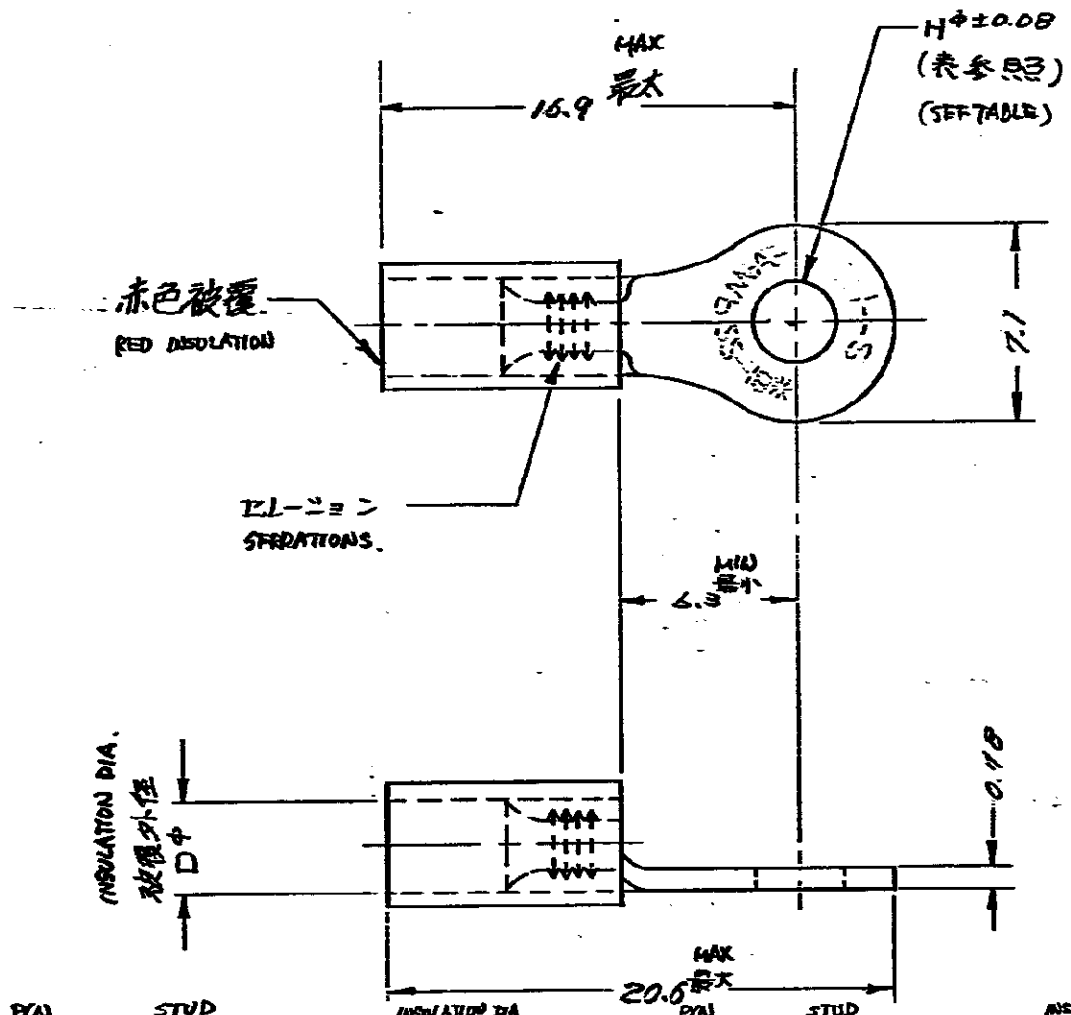


C-171512



型番	STUD	Hφ	被覆外径 Dφ	型番	STUD	Hφ	被覆外径 Dφ
171512-1	#4	3.02	2.03~3.05	171512-7	#10	5	2.66~3.56
-2	#4	3.02	2.66~3.56	-8	#10	5	2.66~3.56
-3	#6	3.68	2.03~3.05	-9	5mm	5.26	2.03~3.05
-4	#6	3.68	2.66~3.56	1-171512-0	5mm	5.26	2.66~3.56
-5	#8	4.34	2.03~3.05				
171512-6	#8	4.34	2.66~3.56				

DIMENSIONS IN MM. DO NOT SCALE PRINT

AMP (JAPAN) LTD. ALL RIGHTS RESERVED. AMP PRODUCTS COVERED BY PATENTS AND/OR PATENTS PENDING.

参考図面 (CUSTOMER COPY, REFERENCE ONLY)

B1 OBSOLETE (F104-0515) K.N 4.T 6-20-93
 B ADDED MARK H.D. H.N 2/1/75
 A REVISED (P-DWG) 71.S H.C. 2/1/75
 0 (P-DWG REV. 0) 2.A. J.S. 7/1/75

MP: MATERIAL: 電気銅 (COPPER)
 H.F. FRESH MENDED S.P.M.
 焼入れ 錫めっき
 SPEAKER WPC RANGE: 0.26~1.04 REF: AWG 22-18
 INSULATION DIA. 表参照
 TOLERANCE: ±0.4 (EXCEPT AS NOTED) ±1.0

AMP | AMP (JAPAN), LTD. Tokyo, Japan

CLASS: 7
 TYPE: プラスチックリブ

LTR: 変更 (REVISION RECORD) DR. CHK. DATE
 DR. 2/1/75
 CHK. 2/1/75

SCALE: 4-1 LOC: JAC-171512 SIZE: B1 REV.:

丸型端子 RING TONGUE TERMINAL